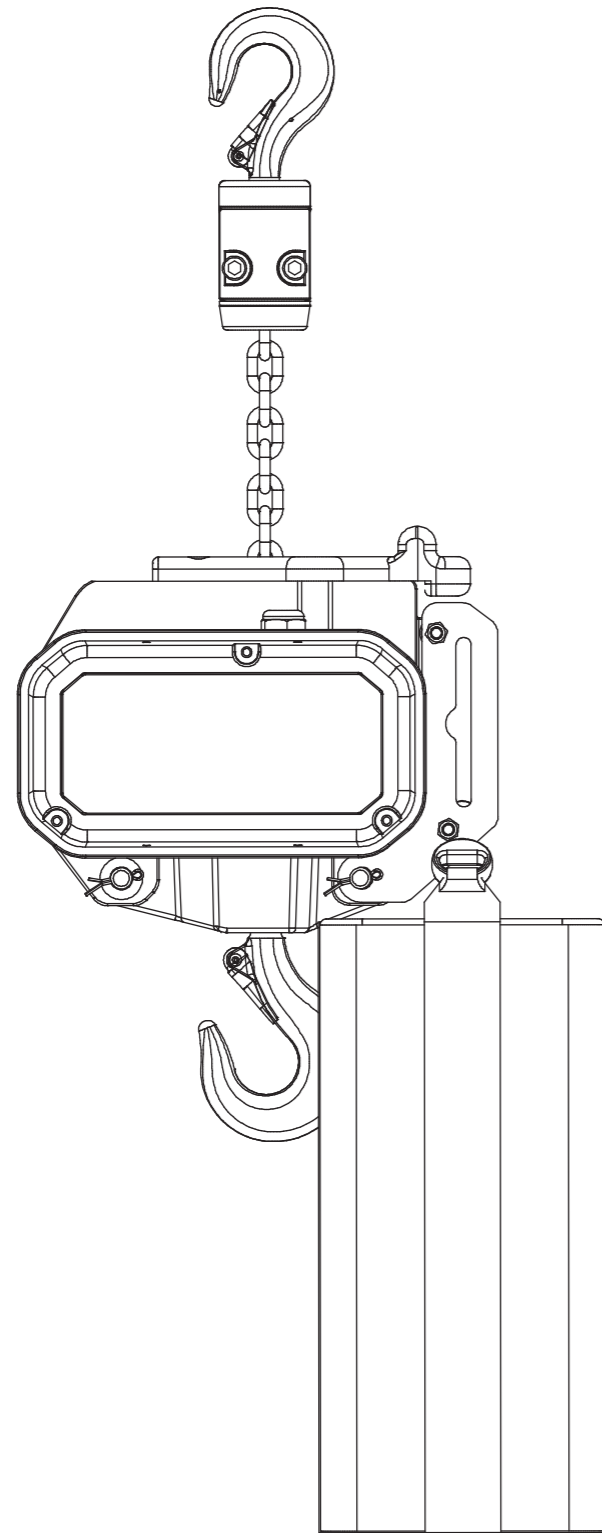


CHAINMASTER

THE WORLD OF MOTORS



TECHNICAL SPECIFICATIONS

TECHNICAL SPECIFICATIONS

Load D8 (1)	Load D8 Plus (2)	Load C1 (3)	Model	Brake no.	Speed at 50Hz	Speed at 60Hz	Chain size	Chain weight	Body weight (4)	FEM hoist D8	ED	Switches	Motor type	Power at 50Hz	Power at 60Hz	Rpm at 50Hz	Rpm at 60Hz	IP Standard	IP66 Option	Gear limit switches possible (Stromag)	Gear limit switches prepared (Stromag)
kg	kg	kg			m/min	ft/min	mm	kg/m	kg		%	S/h		kW	kW	1/min	1/min				
-	250	-	SB1.1/81B	2	4	16	4x12	0,35	10,2	1Bm/M3	40	240	56G4E	0,22	0,26	1360	1685	55	-	-	-
500	320	320	SK030/10	2	4	16	5,2x15	0,55	17	1Am/M4	40	240	63G4E	0,37	0,44	1380	1680	55	✓	✓	✓
-	500	320	SK030/76	2	4	16	P 5,4x15	0,59	17	1Am/M4	40	240	63G4E	0,37	0,44	1380	1680	55	✓	✓	✓
-	500	320	SK030/77	2	8	32	P 5,4x15	0,59	17	1Bm/M3	40	240	63G2E	0,70	0,84	2700	3320	55	✓	✓	✓
500	320	250	SK070/19	2	20	80	7x22	1,10	39	1Bm/M3	40	240	80G2E	2,2	2,6	2850	3420	55	✓	✓	✓
1000	500	500	SK070/16	2	4	16	7x22	1,10	31	2m/M5	40	240	80K4E	1,1	1,3	1410	1715	55	✓	✓	✓
1000	500	500	SK070/17	2	8	32	7x22	1,10	39	1Bm/M3	40	240	80G2E	2,2	2,6	2850	3460	55	✓	✓	✓
1000	500	500	SK070/13	2	10	40	7x22	1,10	39	1Bm/M3	40	240	80G2E	2,2	2,6	2850	3460	55	✓	✓	✓
-	1000	750	SK070/76	2	4	16	P 7,4x21,1	1,30	31	1Bm/M3	40	240	80K4E	1,1	1,3	1410	1715	55	✓	✓	✓
-	1000	750	SK070/77	2	8	32	P 7,4x21,1	1,30	31	1Bm/M3	40	240	80G2E	2,2	2,6	2850	3460	55	✓	✓	✓
1000	630	500	SB6.1/12P	2	16	64	9x27	1,80	57	2m/M5	40	240	90L2E	3,0	3,6	2850	3470	55	-	✓	✓
1600	1250	1000	SB6.1/17P	2	4	16	9x27	1,80	57	1Bm/M3	25	150	90L4E	2,2	2,6	1420	1720	55	-	✓	✓
2500	1600	1250	SB8.2/10U	2	4	16	11x31	2,70	68	1Bm/M3	25	150	90L4E	2,2	2,6	1420	1720	55	-	✓	✓
2500	1600	1250	SB8.3/10V	2	8	32	11x31	2,70	68	1Bm/M3	25	150	90L2E	3,6	4,3	2850	3420	55	-	✓	✓
3200	2000	1350	110/14 SB	2	4	16	11,3x31	2,85	77	2m/M5	60	240	90L4E	2,2	2,6	1415	1720	55	-	✓	-

(1) Acc. to DGUV V54

(2) Acc. to SQP2 2018:10 (8:1 static)

(3) Acc. to DGUV V17 / DIN 56950 (8:1 dynamic)

(4) Body weight without chain, hook and suspension, direct control

(5) only 3/400 V - 50 Hz

Bestsellers

Subject to change without notice.

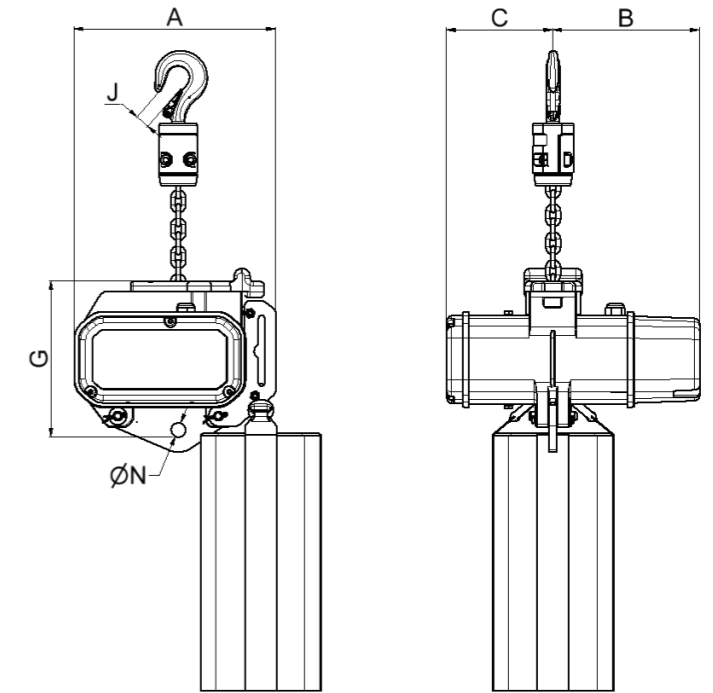
DIMENSIONS

CHAIN HOIST

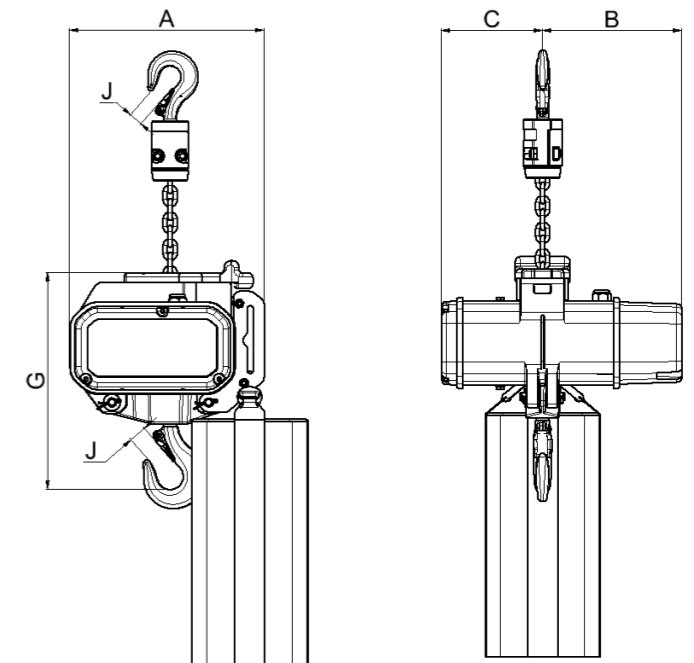
Model	Hook tackle 1/1	Hook block 2/1	Hook suspension (Motor)	A	B direct control	B low volt. Control	C direct control	C low volt. Control	G susp. Eye	G hook susp.	∅ N	J 1/1	J 2/1	J hook susp.
				mm	mm	mm	mm	mm	mm	mm	mm	mm	mm	mm
SB1.1/81B	012-V	n.a.	025-V	220	206	206	100	233	176	262	23	20	-	22
SK030/10	012-V	n.a.	025-V	258	247	247	126	255	200	282	23	20	-	22
SK030/76	025-V	n.a.	025-V	258	247	247	126	255	200	282	23	22	-	22
SK030/77	025-V	n.a.	025-V	258	247	247	126	255	200	282	23	22	-	22
SK070/19	025-V	05-V	05-V	316	283	283	167	255	247	356	23	22	28	28
SK070/16	025-V	n.a.	05-V	316	248	248	167	255	247	356	23	22	-	28
SK070/17	025-V	05-V	05-V	316	283	283	167	255	247	356	23	22	28	28
SK070/13	025-V	05-V	05-V	316	283	283	167	255	247	356	23	22	28	28
SK070/76	05-V	n.a.	05-V	316	248	248	167	255	247	356	23	28	-	28
SK070/77	05-V	n.a.	05-V	316	283	283	167	255	247	356	23	28	-	28
SB6.1/12P	05-V	1-V	1-V	385	304	304	261	261	271	407	22	28	30	30
SB6.1/17P	05-V	1-V	1-V	385	304	304	261	261	271	407	22	28	30	30
SB8.2/10U	1-V	2,5-P	2,5-P	396	329	329	267	267	293	483	25	30	42	42
SB8.3/10V	1-V	2,5-P	2,5-P	396	329	329	267	267	293	483	25	30	42	42
110/14 SB	1-V	2,5-P	2,5-P	406	367	367	420	420	341	460	67	30	42	42

Bestsellers

Subject to change without notice.



Chain Hoist with suspension eye



Chain Hoist with hook suspension

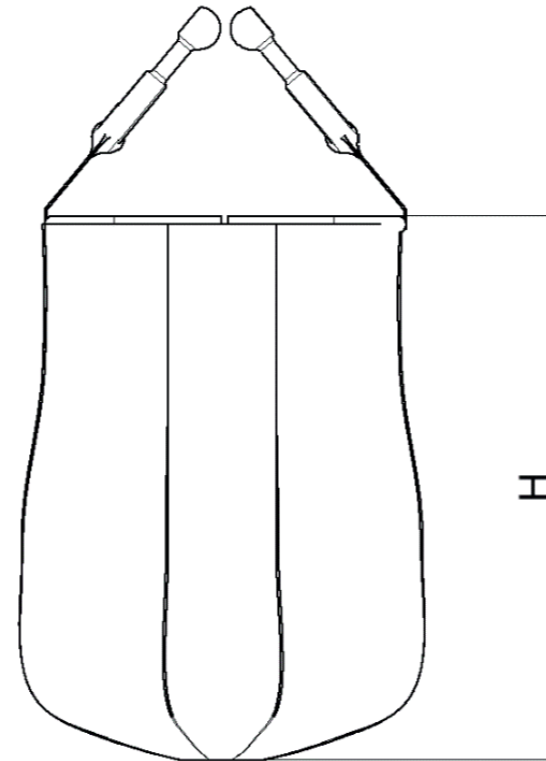
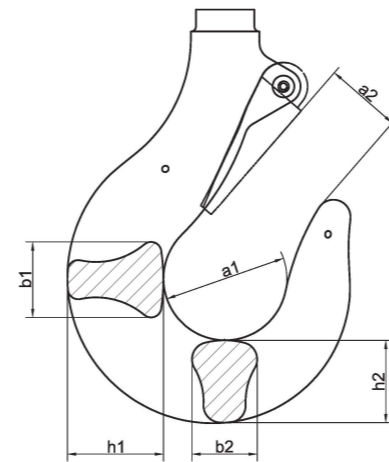
DIMENSIONS

FLIP BAG & HOOK

Hook no. DIN 15401 part 1	a1	a2	h1	b1	h2	b2	Permissible tolerances a1, a2, h1, b1, h2, b2
	mm	mm	mm	mm	mm	mm	mm
012	30	20	22	19	19	15	+2
025	36	22	28	22	24	19	+2
05	43	28	37	29	31	24	+3
1	50	30	48	38	40	32	+3
2,5	63	42	67	53	58	45	+3

	Chain 4x12	Chain 5,2x15 P 5,4x15	Chain 7x22 P 7,4x21,1	Chain 9x27	Chain 11x31 11,3x31
Chain length [m]	Height of chain bag [mm]				
6	320	400	400	350	350
10	320	400	400	350	480
12	320	400	500	480	480
18	380	400	500	480	600
20	380	400	500	600	600
25	480	500	600	600	700
30	480	600	700	600	800
40	560	600	800	700	-
50	670	700	900	-	-

Subject to change without notice.



This is an overview about our large variety of hoists (entertainment motors). Based on this modular principle we can offer many special executions with different speeds and fulfilling different norms and regulations. Please ask CHAINMASTER for any information you may require. We can lift you up with one single hoist up to 25.000 kg in D8 standard. Not just hoists - the world of motors and control systems including C1 and SiL3 sophisticated turn key solutions.

CHAINMASTER GmbH

Uferstr. 23
D-04838 Eilenburg · Germany

Telefon: +49 3423 6922-0

Telefax: +49 3423 6922-21

E-Mail: info@chainmaster.de

Internet: www.chainmaster.de